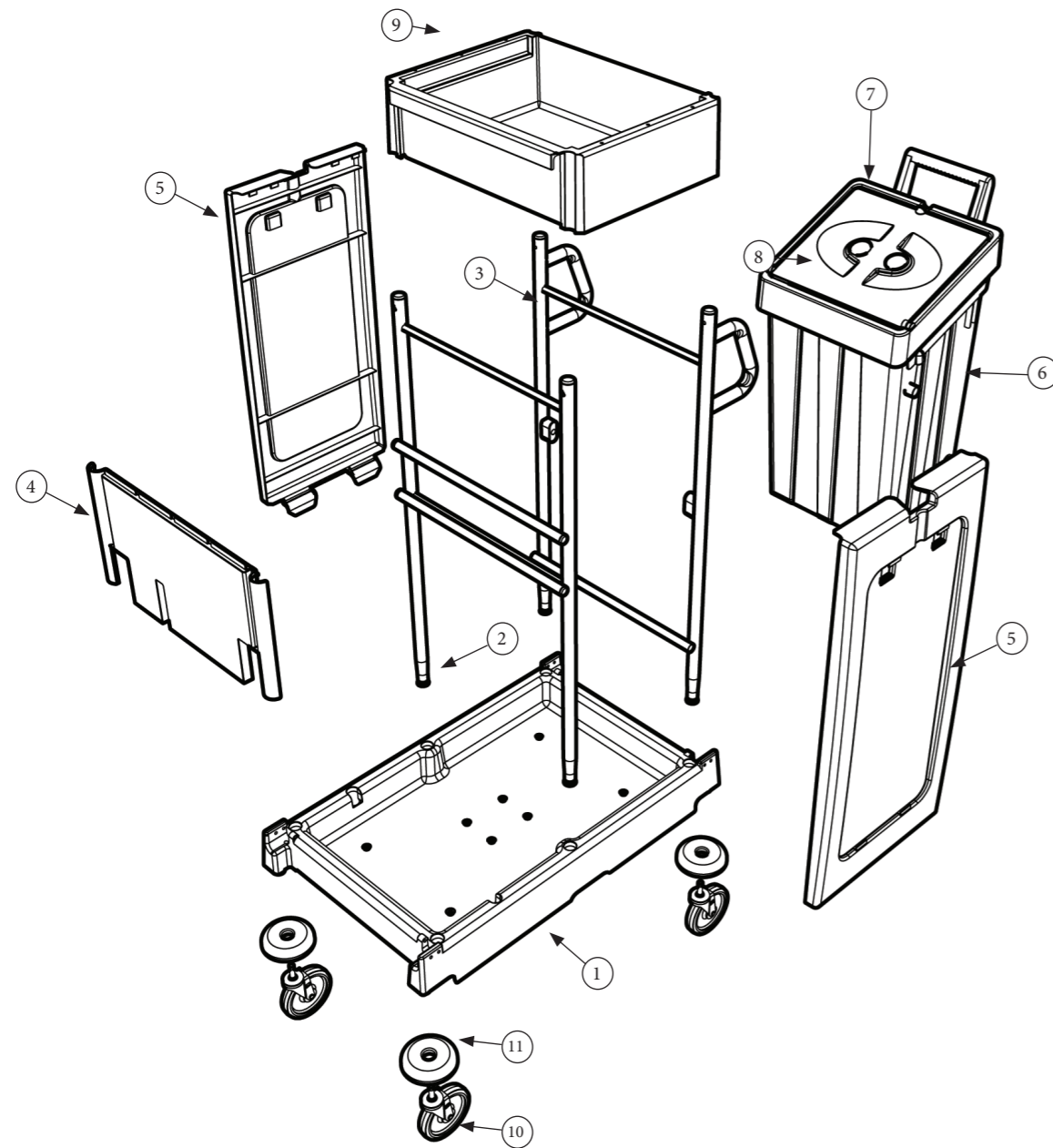


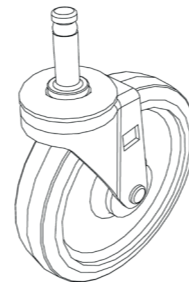
# Exploded Spare PM-10S

# Numatic

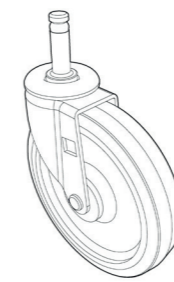
Number	Description	Part Number	Quantity
1	Large black reflo trolley base	910011	1
2	Upright frame weld assembly stainless (front)	908631	1
3	Rear upright frame welded assembly (stainless steel)	911949	1
4	Front panel black reflo moulding	910014	1
5	Side panel black reflo moulding	910013	2
6	Swing out bin assembly	911950	1
7	Bag securing frame	911710	1
8	Lid (grey)	911714	1
9	Clip on black reflo plain tray moulding	910012	1
10	<b>Option A Castor</b> - 4 Inch stem fitting castor	628425	4
	<b>Option B Castor</b> - 5 Inch stem fitting castor	629766	4
	<b>Option C Castor</b> - 200mm Grey PU castor	901813	4
11	Buffer moulding - <b>Optional</b>	227479	4
12	120-Litre grey waste bags (roll of 10 - 700mm x 1100mm) - <b>Optional</b>	908229	1



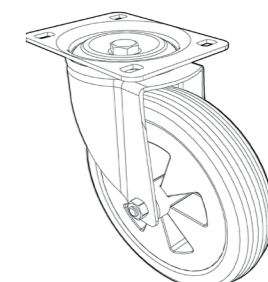
## Castor Options:-



Option 'A' Castor  
4 Inch Stem Fitting Castor  
Part No 628425



Option 'B' Castor  
5 Inch Stem Fitting Castor  
Part No 629766



Option 'C' Castor  
200mm Grey PU Castor  
Part No 901813

# Numatic

Numatic International Limited,  
Chard, Somerset, TA20 2GB  
Telephone: 01460 68600  
Fax: 01460 68458

Specification subject to change without prior notice  
www.numatic.com © Numatic International Limited

 Numatic.com

EXP-002010 02/23 (A01)