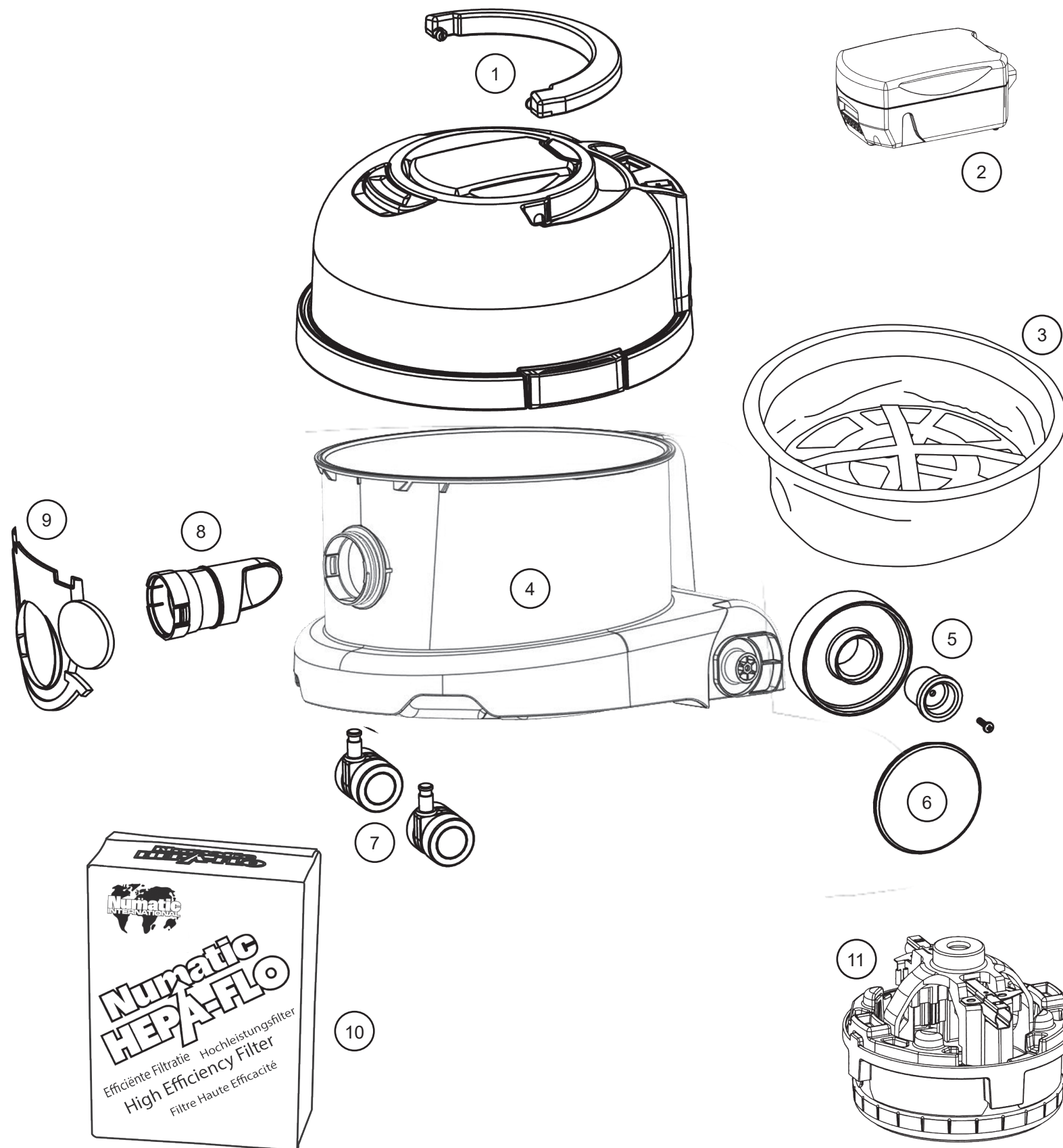
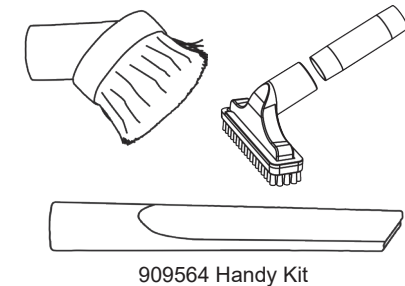
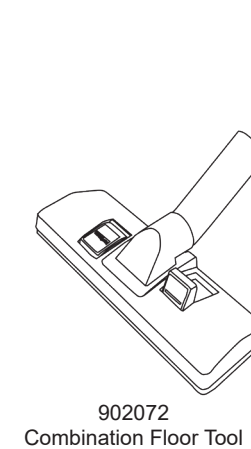
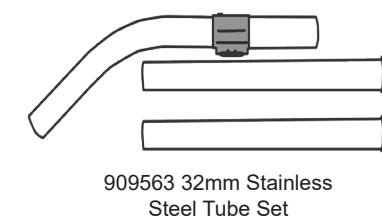
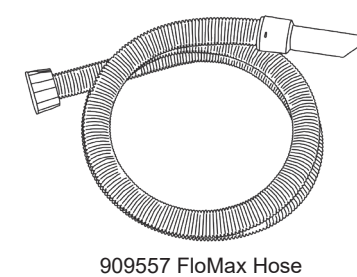


Exploded Spare Parts HVB170-12 (Henry Battery)



Num	Description	Num
1	11 Inch reeler handle	227120
2	UN3480 Lithium ion battery (98W/hr) packed	904382
3	11" TriTex filter (Dry only use)	909560
4	11inch 170 Drum with accessory with storage (Red) + Henry face	910458
5	Wheel hub for 2 shot wheel	227868
	Henry wheel 2 shot moulding	227640
	NO8.5/8 lynch long pozi-pan screw z/pl plastite	219105
6	Coloured wheel disc (Red)	227687
7	50mm Twin wheel castor with PU tyre	244111
8	Dry 11 Inch diffuser neck	237119
9	11 Inch Henry snap face (Red)	904647
10	Pack of 3 NVM-1CH HepaFlo bags	909291
	Box of 5 NVM-1CH HepaFlo bags	907076
	Box of 10 NVM-1CH HepaFlo bags	907075
11	36V DC 1 Stage direct air flow ametek motor (DL1-36300T)	902326

Genuine Accessories (904251 Kit AS29E)



Numatic International Limited, Chard, Somerset, TA20 2GB
Telephone: 01460 68600
Fax: 01460 68458

UNITED KINGDOM: www.numatic.co.uk
NETHERLANDS: www.numatic.nl
PORTUGAL: www.numatic.pt

GERMANY: www.numatic.de
SWITZERLAND: www.numatic.ch
SPAIN: www.numatic.es

FRANCE: www.numatic.fr
SOUTH AFRICA: www.numatic.co.za

www.numatic.co.uk

Specification subject to change without prior notice
www.numatic.co.uk © Numatic International Limited

MED-000922 02/21 (A01)