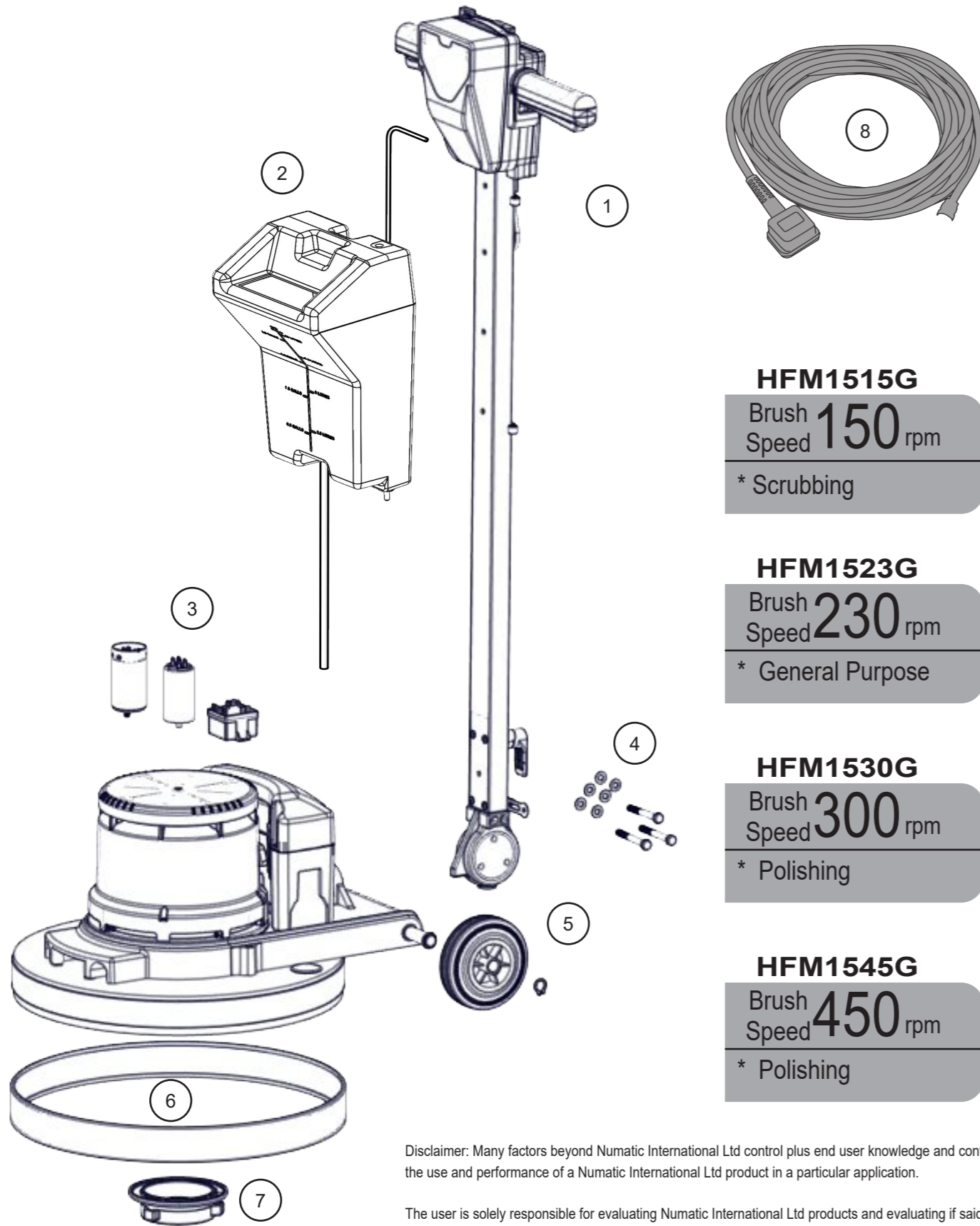


Exploded Spare Parts HFM1500 Series

Numatic



HFM1515G
Brush Speed **150** rpm
* Scrubbing

HFM1523G
Brush Speed **230** rpm
* General Purpose

HFM1530G
Brush Speed **300** rpm
* Polishing

HFM1545G
Brush Speed **450** rpm
* Polishing

Disclaimer: Many factors beyond Numatic International Ltd control plus end user knowledge and control can affect the use and performance of a Numatic International Ltd product in a particular application.

The user is solely responsible for evaluating Numatic International Ltd products and evaluating if said product is suitable for a particular purpose and user's method of application.

Num	Description	Num
1	HFM.HANDLE.SILVER.V11.C/W RED TRIM	905903
2	HFM / NPR / BMD SOLUTION TANK (MDA-1) BOXED	606890
3	MOTOR RUN CAPACITOR 25 MFD 450V D/FASTON + STUD . PLASTIC CASE (4.16.10.26.64)	220897
	MOTOR START CAPACITOR 150MFD 280V C/W RESISTOR AND M8 STUD (REF 412.80.4535)	205088
4	230V SINGLE SPEED VOLTAGE RELAY	902715
	M8.70MM LG.HEX.BOLT.Z/PL	219213
	WASHER.M8.FORM A.Z/PL	219010
5	NUT.M8.NYLON INSERT.Z/PL	219078
	WHEEL GREY BLACK HUB TYPE 61	229060
6	WASHER.WAVE.21.5MM.16.3MM	219219
	EXTERNAL CIRCLIP 7100-016	229051
7	MEDIUM RING MOULD + BUFFER ASSY (GREY)	329072
8	DIE CAST CHUCK MACHINED	230207
9	MAINS CABLE.YELLOW.15000.1m5.3.UK PLUG.PUSH ON CONNECTORS	911787

Genuine Accessories

HFM.1515G & HFM.1523G			
606203	450mm Polyscrub Scrubbing Brush (Hard Flooring)	606401	400mm PadLoc Drive Board Pads are located securely (Suitable for general use)
606204	450mm Nyloscrub Shampoo Brush (Soft Filors including Carpet)	606700	Porcupine Pad Holder (alternative pad drive board)
606207	Wire Scarifying Brush (Scarifying Concrete Flooring)	900969	Nuplex Pads - 3 Pack 430mm (Low water, chemical free maintenance suitable for a wide range of applications.)
606208	400mm Carbotex Grinding Disc (High Abrasive Properties)	900974	Nuplex Pads - 5 Pack 430mm (Low water, chemical free maintenance suitable for a wide range of applications.)
606209	400mm Sandotex Drive Disc (High Abrasive Properties)	900525	400mm Nuloc2 Drive Board (Suitable for general use.)
606211	400mm Heavy Duty Scarifying Disc (Spirotex 6 Head Heavy duty scarifying board)	606890	HFS / HFM Solution Tank (Optional Solution Tank)
606305	450mm LongLife Scrubbing Stripping Brush (heavily soiled traffic areas)	606077	HFM 10Kg Weight (Increased Brush Pressure)
606306	450mm LongLife Scrubbing Brush (toughest scuff marks)	612002	20m Cable roll Extension UK (Extension Lead)
606307	450mm LongLife Light Scrubbing Brush (general floor cleaning pad)	612003	20m Cable Roll Extension EURO (Extension Lead)
HFM.1530G & HFM.1545G			
606202	450mm Union Mix Brush	606411	400mm Flexi PadLoc Drive Board
906412	HFM / NPR Dustrol Kit (Grey)	612002	20m Cable roll Extension UK
606079	HFM / NR Dustrol Control Brush Ring	606700	400mm Porcupine Pad Holder
606325	HFM Spraytec Kit	606308	450mm Long Life High Lustre Polishing Brush
606077	HFM 10Kg Weight	606401	400mm PadLoc Drive Board000000
900528	Flexi NuLoc2 Drive Board		

Numatic.com

Numatic International Limited, Chard, Somerset, TA20 2GB
Telephone: 01460 68600
Fax: 01460 68458

UNITED KINGDOM: www.numatic.co.uk
NETHERLANDS: www.numatic.nl
PORTUGAL: www.numatic.pt

GERMANY: www.numatic.de
SWITZERLAND: www.numatic.ch
SPAIN: www.numatic.es

FRANCE: www.numatic.fr
SOUTH AFRICA: www.numatic.co.za

Specification subject to change without prior notice
www.numatic.co.uk © Numatic International Limited

MED-000983 03/21 (A01)