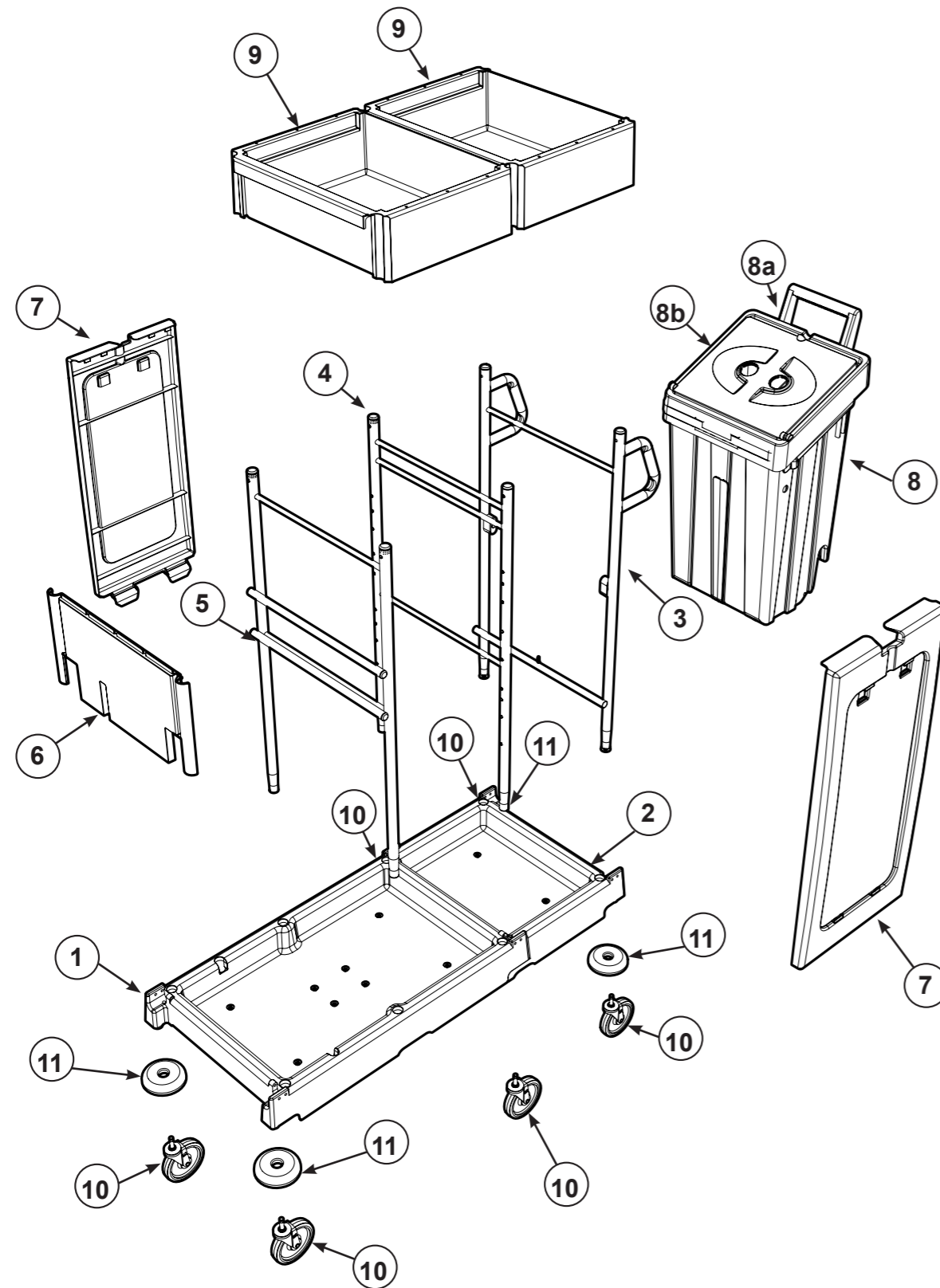


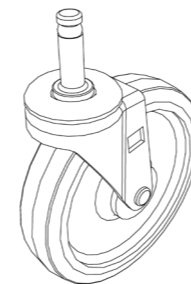
# Exploded Spares PM-20S

# Numatic

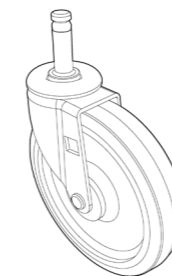


Number	Description	Part Number	Quantity
1	Large black refo trolley base	910010	1
2	Base extension black refo moulding	910034	1
3	Rear upright frame welded assembly (stainless steel)	908643	1
4	Upright frame weld assembly stainless (central)	908641	1
5	Upright frame weld assembly stainless (front)	908631	1
6	Front panel black refo moulding	910014	1
7	Side panel black refo moulding	910013	2
8	Bag frame/door assembly (stainless)	909262	1
8a	Bag securing frame	911710	1
8b	Lid	911714	1
9	Clip on black refo plain tray moulding	910012	2
10	<b>Option A Castor</b> - 4 Inch stem fitting castor	628425	4
	<b>Option B Castor</b> - 5 Inch stem fitting castor	629766	4
	<b>Option C Castor</b> - 200mm Grey PU castor	901813	4
11	Buffer moulding - <b>Optional</b>	227479	4
12	120-Litre grey waste bags (roll of 10 - 700mm x 1100mm) - <b>Optional</b>	908229	0.1

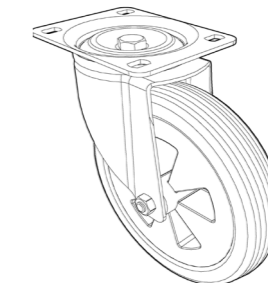
## Castor Options:-



Option 'A' Castor  
4 Inch Stem Fitting Castor  
Part No 628425



Option 'B' Castor  
5 Inch Stem Fitting Castor  
Part No 629766



Option 'C' Castor  
200mm Grey PU Castor  
Part No 901813

Revision	A02
----------	-----