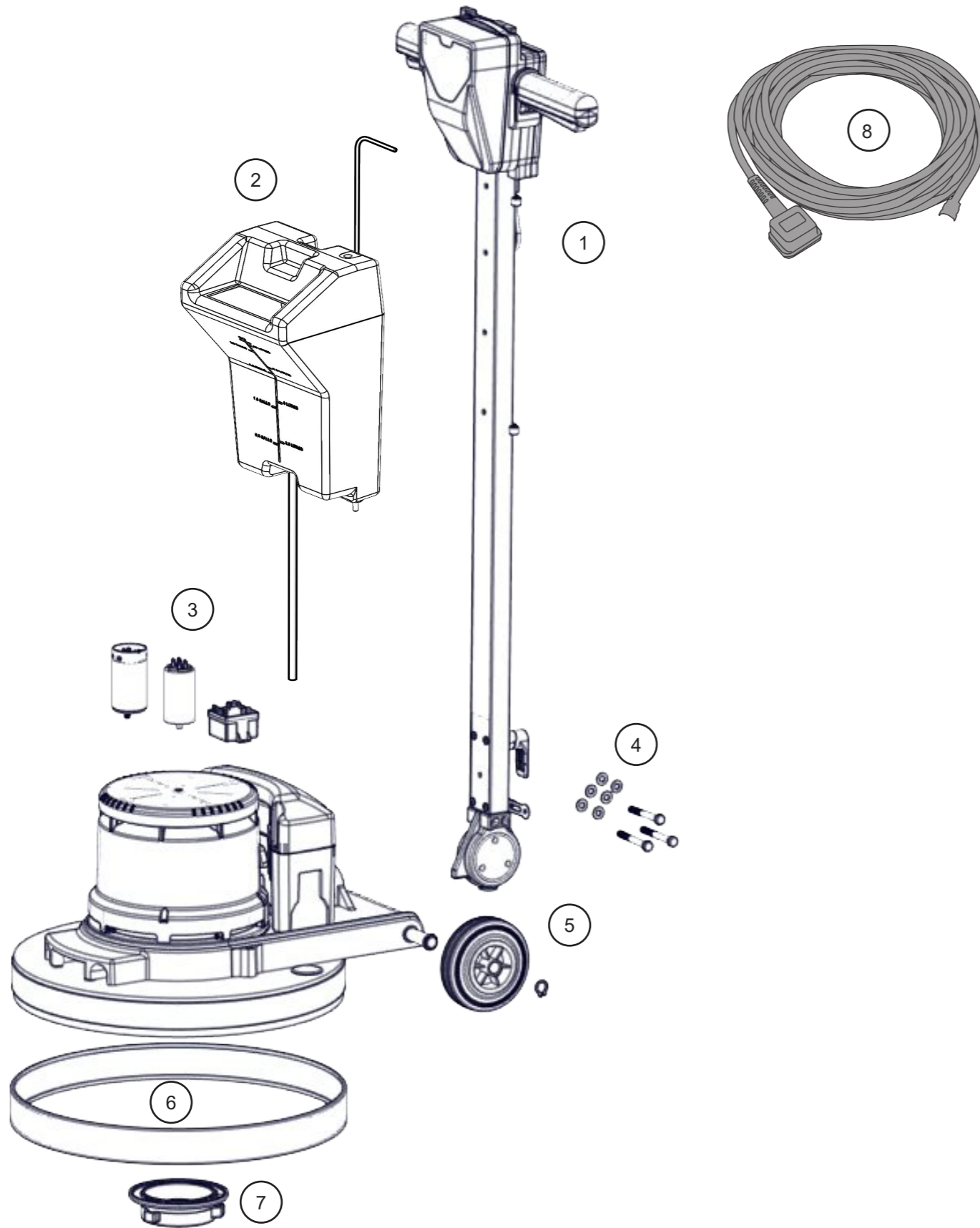


Exploded Spare Parts HFM1015G

Numatic



Num	Description	Num
1	HFM.HANDLE.SILVER.V11.C/W RED TRIM	905903
2	HFM / NPR / BMD SOLUTION TANK (MDA-1) BOXED	606890
3	MOTOR RUN CAP 22uF 450V DOUBLE FASTON & M8 STUD (REF: 4.16.10.68.64)	902929
	MOTOR START CAPACITOR 150MFD 280V C/W RESISTOR AND M8 STUD (REF 412.80.4535)	502141
4	230V SINGLE SPEED VOLTAGE RELAY (1000W)	901647
	M8 X 70MM LG Z/PL SOCKET BUTTON HEAD BOLT	219806
	WASHER.M8.FORM A.Z/PL	219010
5	NUT.M8.NYLON INSERT.Z/PL	219078
	WHEEL GREY BLACK HUB TYPE 61	229060
6	WASHER.WAVE.21.5MM.16.3MM	219219
	EXTERNAL CIRCLIP 7100-016	229051
7	MEDIUM BUFFER RING 1300 GREY	206478
8	DIE CAST CHUCK MACHINED	230207
	MAINS CABLE.YELLOW.15000.1m5.3.UK PLUG.PUSH ON CONNECTORS	911787

Genuine Accessories

606203	450mm Polyscrub Scrubbing Brush (Hard Flooring)	606401	400mm PadLoc Drive Board Pads are located securely (Suitable for general use)
606204	450mm Nyloscrub Shampoo Brush (Soft Fillors including Carpet)	606700	Porcupine Pad Holder (alternative pad drive board)
606207	Wire Scarifying Brush (Scarifying Concrete Flooring)	900969	Nuplex Pads - 3 Pack 430mm (Low water, chemical free maintenance suitable for a wide range of applications.)
606208	400mm Carbotex Grinding Disc (High Abrasive Properties)	900974	Nuplex Pads - 5 Pack 430mm (Low water, chemical free maintenance suitable for a wide range of applications.)
606209	400mm Sandotex Drive Disc (High Abrasive Properties)	900525	400mm Nuloc2 Drive Board (Suitable for general use.)
606211	400mm Heavy Duty Scarifying Disc (Spirotex 6 Head Heavy duty scarifying board)	606890	HFS / HFM Solution Tank (Optional Solution Tank)
606305	450mm LongLife Scrubbing Stripping Brush (heavily soiled traffic areas)	606077	HFM 10Kg Weight (Increased Brush Pressure)
606306	450mm LongLife Scrubbing Brush (toughest scuff marks)	612002	20m Cable roll Extension UK (Extension Lead)
606307	450mm LongLife Light Scrubbing Brush (general floor cleaning pad)	612003	20m Cable Roll Extension EURO (Extension Lead)

Disclaimer: Many factors beyond Numatic International Ltd control plus end user knowledge and control can affect the use and performance of a Numatic International Ltd product in a particular application

The user is solely responsible for evaluating Numatic International Ltd products and evaluating if said product is suitable for a particular purpose and user's method of application.

Numatic International Limited, Chard, Somerset, TA20 2GB
Telephone: 01460 68600
Fax: 01460 68458

UNITED KINGDOM: www.numatic.co.uk
NETHERLANDS: www.numatic.nl
PORTUGAL: www.numatic.pt

GERMANY: www.numatic.de
SWITZERLAND: www.numatic.ch
SPAIN: www.numatic.es

FRANCE: www.numatic.fr
SOUTH AFRICA: www.numatic.co.za

 www.numatic.com

Specification subject to change without prior notice
www.numatic.co.uk © Numatic International Limited

MED-000982 03/21 (A01)