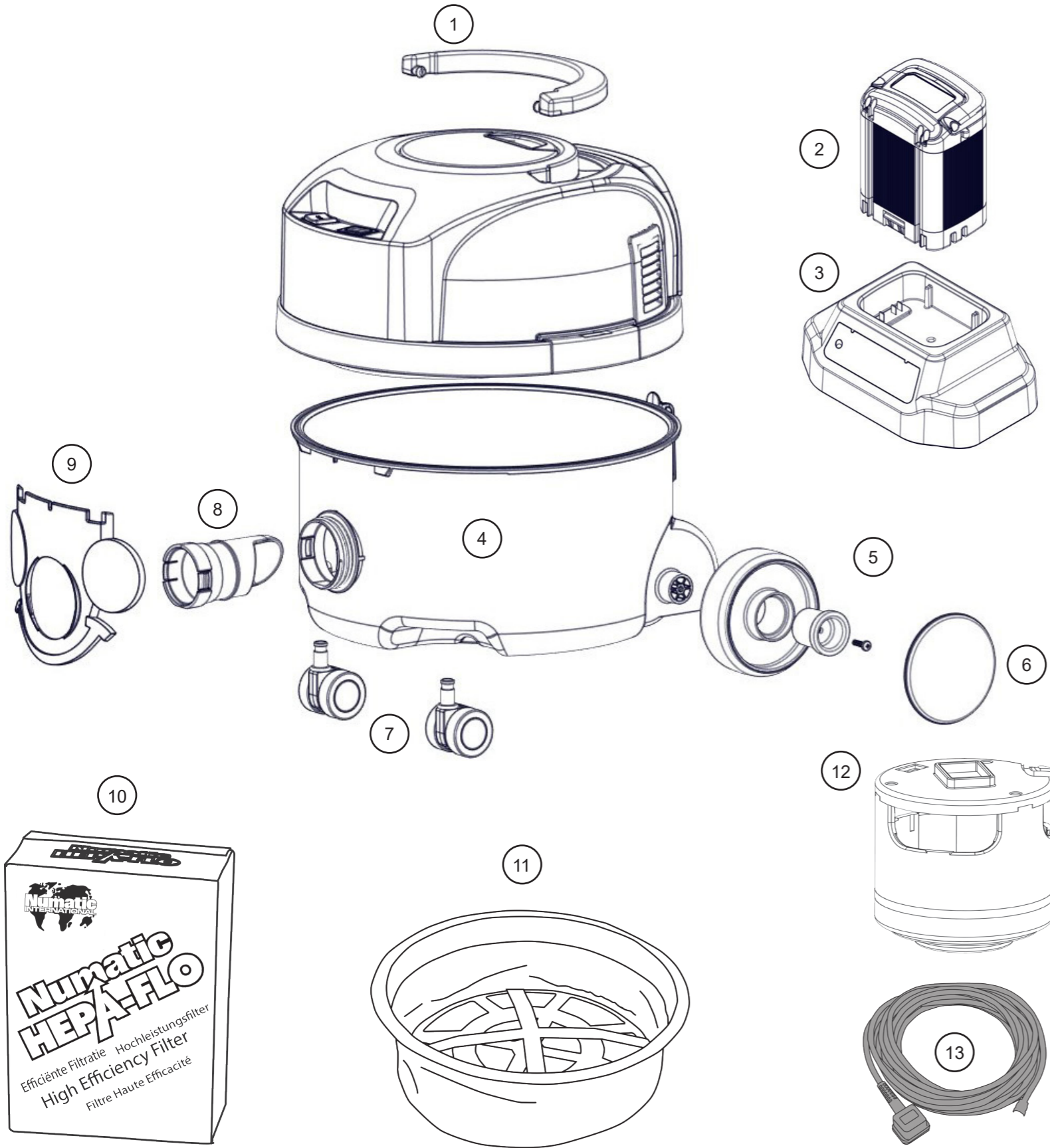


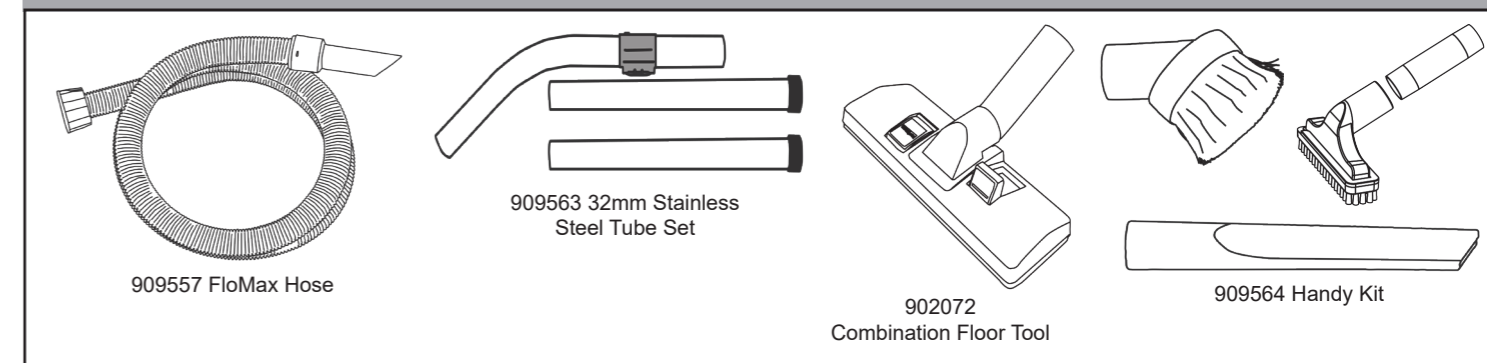
Exploded Spare Parts NBV190NX



Num	Description	Num
1	REELER HANDLE	227120
2	NX 300.LITHIUM ION BATTERY (300W/HR) PACKED.UN3480	909996
3	NX.300 LITHIUM BATTERY CHARGER [5]	911335
4	12INCH 180 DRUM WITH ACCESSORY WITH STORAGE (RED) + HENRY FACE	906708
5	WHEEL HUB FOR 2 SHOT WHEEL	227868
	HENRY WHEEL 2 SHOT MOULDING	227640
	NO8.5/8 IINCH LONG POZI-PAN SCREW Z/PL PLASTITE	219105
6	COLOURED WHEEL DISC (RED)	227687
7	40MM TWIN WHEEL CASTOR WITH PU TYRE	204000
8	DRY DIFFUSER NECK	237119
9	HENRY SNAP FACE (RED)	325966
10	PACK OF 3 NVM-1CH HEPAFLO BAGS	909291
	BOX OF 5 NVM-1CH HEPAFLO BAGS	907076
	BOX OF 10 NVM-1CH HEPAFLO BAGS	907075
11	12" TRITEX FILTER (DRY ONLY USE)	909559
12	SIP CINDERSON 74MM 36V MOTOR (350W/200W)	911895

13	MAINS CABLE.BLACK.1800.0m75.3 .UK PLUG.	912365	13	MAINS CABLE.BLACK.1800.1.3. SWISS PLUG.	912364
13	MAINS CABLE.BLACK.1800.0m75.3.EUROPEAN PLUG.	912361	13	MAINS CABLE.BLACK.1800.18AWG.3. NORTH AMERICAN PLUG.	912362
13	MAINS CABLE.BLACK.1800.1.3. AUSTRALIAN PLUG.	912360	13	MAINS CABLE.BLACK.1800.1.3. SOUTH AFRICAN PLUG.	912363

Genuine Accessories (904251 Kit AS29E)



909557 FloMax Hose

909563 32mm Stainless Steel Tube Set

902072 Combination Floor Tool

909564 Handy Kit